



Triman
Vibrating
feeder

AVT



AVT VIBRATING FEEDER

The AVT vibrating feeder is designed to yield a uniform inflow of all types of materials with small to medium particle. It is particularly suited for inflow of raw materials to crushers.

CONSTRUCTION

VIBRATING BOX

Electro-welded steel, heavily ribbed and reinforced to confer rigidity.

SUSPENSION

Helicoidal springs with threaded height adjustment mechanism.

DRIVE MECHANISM

Electric vibrator motor that counterturn to confer a single/direction vibratory movement. Adjustable eccentric mass-type vibrators.

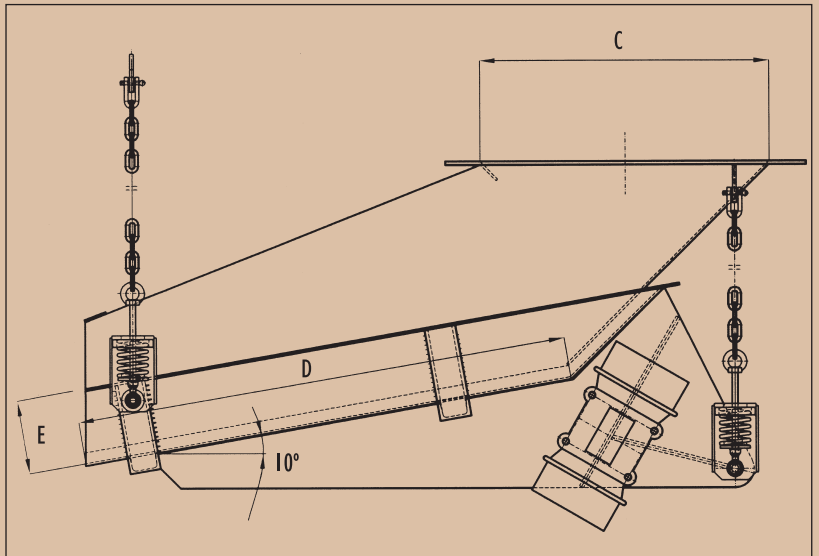
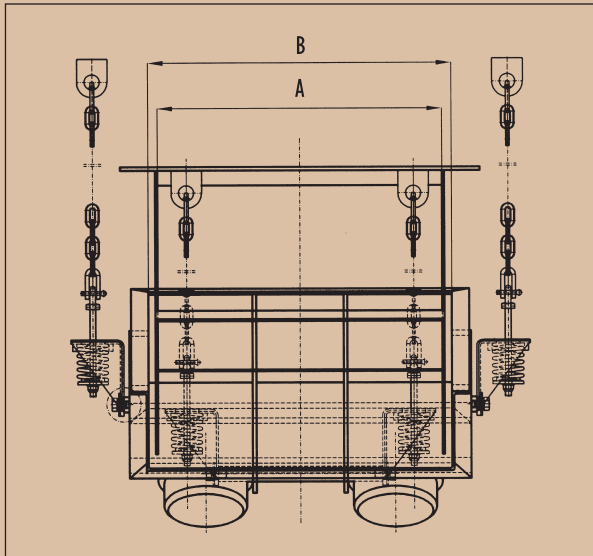
OPTIONS

Anti-stick and anti-wear tray finish.

Electronic speed regulators.

MODEL	A	B	C	D	E
AVT-80	400	450	400	640	200
AVT-120	500	550	500	800	200
AVT-160	600	650	600	1113	200
AVT-220	750	800	750	1300	200
AVT-300	950	1000	950	1400	310
AVT-500	1150	1200	1150	1700	310
AVT-800	1250	1300	1250	1900	310

MODEL	Width mm	Length mm	Power Kw	Yield Tn/h	Centrifugal F. K.P.
AVT-80	450	640	0,3 x 2	80	808
AVT-120	550	800	0,35 x 2	120	1418
AVT-160	650	1113	0,62 x 2	160	2198
AVT-220	800	1300	0,65 x 2	220	2902
AVT-300	1000	1400	0,90 x 2	300	4152
AVT-500	1200	1700	1,115 x 2	500	4152
AVT-800	1300	1900	1,60 x 2	800	5442



Maquinaria de Canteras Trimán, S.A. reserves the right to modify the content of this catalog without prior notification.



Central Office:
 Yanguas y Miranda, 1 Bajo
 Apdo. de Correos n° 359
 31080 PAMPLONA
 Tels.: +34 948 207 100 - 902 153 021
 Fax: +34 948 207 101
 e-mail: comercial@triman.es
 www.triman.es

Factory:
 Pol. Ondarria, s/n.
 31800 ALSASUA Navarra