



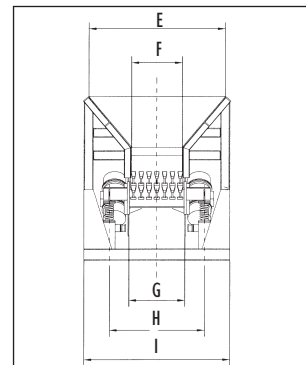
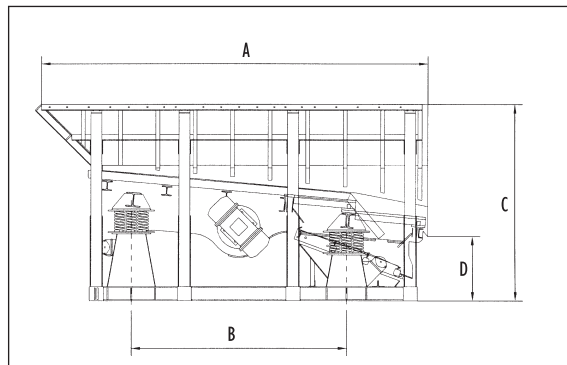
Triman
grizzly screen
feeder

APT



APT GRIZZLY SCREEN FEEDER

MODEL	POWER Kw	CENTRIFUGAL FORCE	WEIGHT	A	B	C	D	E	F	G	H	I
APT-408	7,1 × 2	8.550	6.000	4.954	2.760	2.510	833	2.090	780	860	1.460	2.236
APT-409	7,1 × 2	8.550	6.500	4.954	2.760	2.510	833	2.190	880	960	1.560	2.336
APT-410	7,1 × 2	8.550	7.000	4.954	2.760	2.510	833	2.290	980	1.060	1.660	2.436
APT-411	7,1 × 2	8.550	7.500	4.954	2.760	2.510	833	2.390	1.080	1.160	1.760	2.536
APT-510	7,6 × 2	9.671	8.500	6.000	3.255	2.835	341	2.300	1.000	1.060	1.560	2.457
APT-511	7,6 × 2	9.671	9.000	6.000	3.255	2.835	341	2.400	1.100	1.160	1.660	2.557
APT-512	10 × 2	9.671	9.500	6.000	3.255	2.835	341	2.500	1.200	1.260	1.760	2.657
APT-513	10 × 2	9.671	10.000	6.000	3.255	2.835	341	2.600	1.300	1.360	1.860	2.757
APT-515	10 × 2	9.671	11.000	6.000	3.255	2.835	341	2.800	1.500	1.560	2.060	2.957
APT-610	11,5 × 2	12.015	11.500	6.967	3.910	2.914	365	2.289	1.000	1.070	1.680	2.450
APT-612	11,5 × 2	12.015	12.500	6.967	3.910	2.914	365	2.489	1.200	1.270	1.880	2.650
APT-613	11,5 × 2	12.015	13.000	6.967	3.910	2.914	365	2.589	1.300	1.370	1.980	2.750
APT-615	11,5 × 2	13.431	14.000	7.066	3.910	2.828	284	2.780	1.500	1.570	2.180	2.980
APT-617	11,5 × 2	13.431	15.000	7.066	3.910	2.828	284	2.980	1.700	1.770	2.380	3.180
APT-618	11,5 × 2	13.431	15.500	7.066	3.910	2.828	284	3.080	1.800	1.870	2.480	3.280
APT-619	13 × 2	14.155	16.000	7.066	3.910	2.828	284	3.180	1.900	1.970	2.580	3.380
APT-620	13 × 2	14.155	16.500	7.066	3.910	2.828	284	3.280	2.000	2.070	2.680	3.480
APT-622	13 × 2	14.155	17.000	7.066	3.910	2.828	284	3.480	2.200	2.270	2.880	3.680



In line with the current requirements in the field of crushers, our pre-screen belt incorporates primary milling that is capable of regulating the material input flow-rate and yielding a preliminary separation prior to crushing.

CONSTRUCTION

STEEL STAND

Rugged design to support the flow-regulating hopper legs, suspension spring supports and lateral limiter blocks; built of hot-rolled steel members with reinforcements and braces.

FLOW-REGULATING HOPPER

Hot-rolled steel members with extra structural ribbing to form a rigid unit.

VIBRATING BOX

Rugged design to absorb sharp impact, built of high quality steel with braces that are electro-welded into a single piece. Upper screen made of bolt-mounted bars that can be regulated according to desired particle size.

POWERTRAIN

Two motor-vibrators that counter rotate to produce a straight line displacement with vibration.

The motor-vibrators are of an adjustable eccentric mass type design.

OPTIONS

Lower screen: a steel screen located below the upper classification screen to reclassify the product and thus eliminate the common need of installing additional sterile product screens.

Protective fairing: along feeder tray and flow-regulating hopper.



Maquinaria de Canteras Trimán, S.A., reserves the right to modify the content of this catalog without prior notification.



Central Office:

Yanguas y Miranda, 1 Bajo
Apdo. de Correos nº 359
31080 PAMPLONA
Tels.: +34 948 207 100 - 902 153 021
Fax: +34 948 207 101
e-mail: comercial@triman.es
www.triman.es

Factory:

Pol. Ondarria, s/n.
31800 ALSASUA Navarra